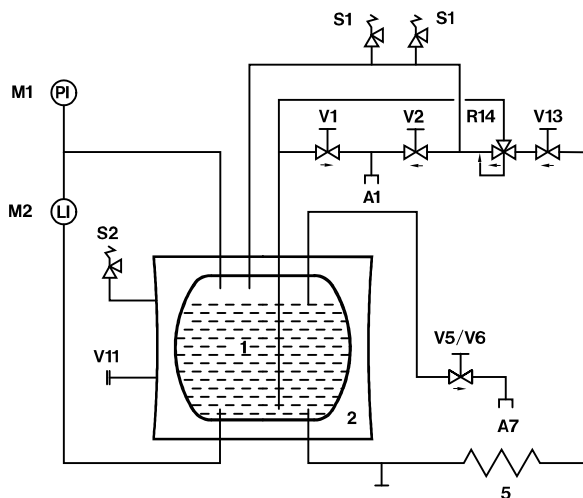
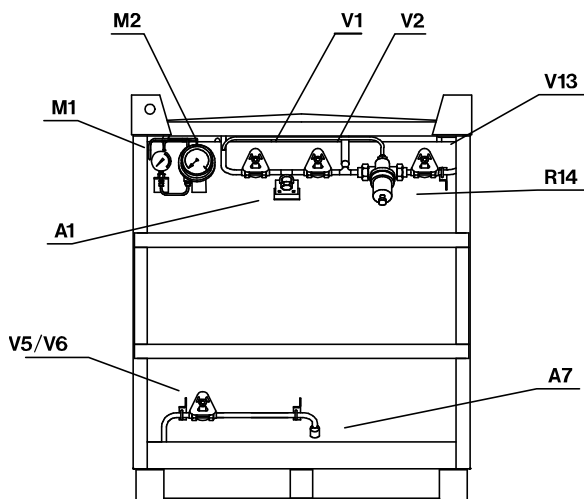


Recommended spareparts pallet tank



- S1 SAFETY VALVES, INNER VESSEL
- S2 SAFETY VALVE, OUTER JACKET
- V1 SHUT-OFF VALVE,
LIQUID DISCHARGE
- V2 SHUT-OFF VALVE,
GASEOUS DISCHARGE
- V5/V6 SHUT-OFF VALVE, BLOW-OFF/
MAXIMUM FILLING LEVEL

- V11 VACUUM VALVE
- V13 SHUT-OFF VALVE,
PRESSURE BUILD-UP COIL
- R14 PER-REGULATOR
- M1 PRESSURE INDICATOR
- M2 LEVEL INDICATOR
- A1 HOSE CONNECTION
- A7 GAS PHASE CONNECTION

Instrumentation

Latest update 2019-09-10

Level indicator M2

Type	Description	Material	Scale	Art. No
Samson	Media 05	BR	%	1000216
	Nipple R3/8"	BR		1000281
	Copper gasket			1000282

Pressure gauge M1

Type	Description	Material	Size	Art. No
0-25 bar	Pressure gauge, marked in red 17,5-25 bar	BR	1/4"	1000324
0-60 bar	Pressure gauge, marked in red 36-60 bar	BR	1/4"	1000373
	Protection cover			1000387

Recommended spareparts pallet tank

Per-Pressure regulator

Per – Pressure regulator R14 for 7-KXSM-18

Type	Description	Material	Size	Art. No
CRYO AB	PER, PRESSURE REGULATOR 5-13 BAR Set pressure 8 bar	BRONZE	DN20	1000673

Per – Pressure regulator R14 for 7-KXSM-36

Type	Description	Material	Size	Art. No
CRYO AB	PER, PRESSURE REGULATOR 15- 33 BAR Set pressure 25 bar	BRONZE	DN20	1000187

Valves

Valve V1,V2,V5/V6,V13,V49,V28

Type	Description	Material	Size	Art. No
HEROSE	GLOBE VALVE H=128 MANUAL Ø17.2 PN50	SS/BRONZE	DN10	1000093
	SEAL KIT 30000.0100.0000	VARIOUS		1000436
	SPINDLE ASSEMBLY 28311.0100.0020	SS/BRASS		600205206
	Hand wheel			600010710

Safety valve S1

Type	Description	Material	Size	Art. No
Herose	SAFETY VALVE 17,5 BAR	SS/BRASS	DN6	600063002
Herose	SAFETY VALVE 36 BAR	SS/BRASS	DN6	1000391
	PIPE ELBOW (for valve outlet)	BRASS		1000219
	SS NIPPLE ¾"	SS	¾"	1000366
	NUT	SS	¾"	1000367

Recommended spareparts pallet tank

Tank connections and Hoses

Tank connection A1,A7

Type	Description	Material	DN	Art. No
	LOX connection incl. cover			1000352
	LOX cover			600042304
	LIN/LAR connection incl. cover			1000353
	LIN/LAR cover			600042368
	LAR cover			600031843
	LCO2 connection incl. cover			600057803
	LAR connection excl. cover			600031842
	LIN/LAR connection excl. cover			600012682

Charging Hoses

CRYO standard charging hoses DN20 ¾" and DN25 1" Stainless steel.

Type	Description	L (mm)	Material	PN	Art. No
	Charging hose ¾"	1200	SS	50	600057533
	Charging hose ¾"	3000	SS	50	600057813
	Charging hose ¾"	5000	SS	50	600057815
	Charging hose ¾"	6000	SS	50	600057816
	Charging hose 1"	1200	SS	40	600057817
	Charging hose 1"	3000	SS	40	600057818

Type	Description	Material	DN	Art. No
R-201	Adapter for connections of 2 hoses ¾"	SS	20	600056370
R-201	Adapter for connections of 2 hoses 1"	SS	25	600012155

Recommended spareparts pallet tank

Hose Couplings

CRYO standard hose coupling consisting of nipple and coupling.

To be ordered as two separate items.

Type	Description	Material	DN	Art. No
	Nipple ¾" for LOX,LIN,CO2	BR	20	1000354
	Coupling LOX	BR		1000102
	Coupling LIN	BR		1000355
	Coupling LCO2	BR		600057808
	Coupling LN2O	BR		600057809
	Coupling LAR	BR		600031845

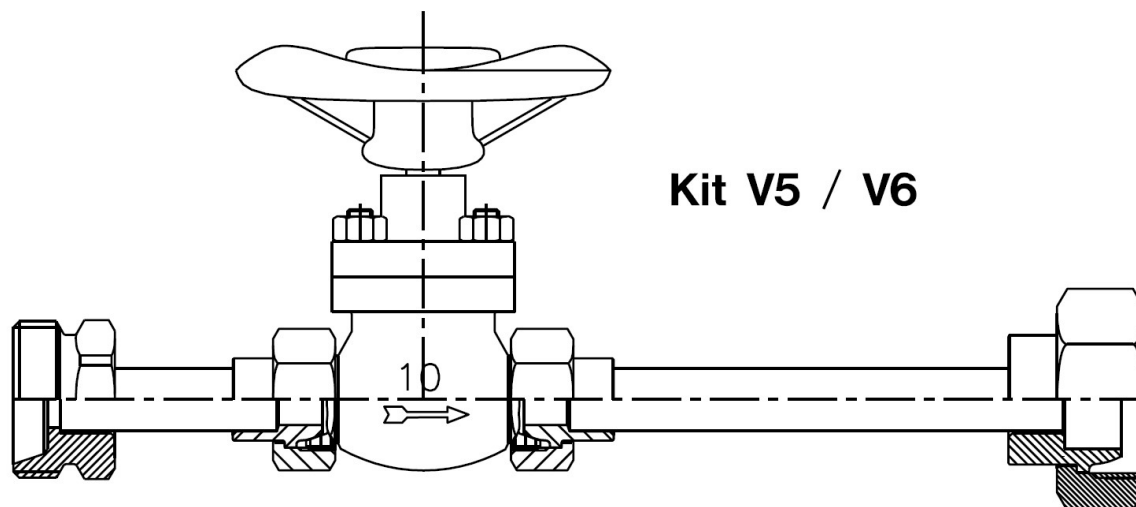
Protective Plugs for hoses

Type	Description	Material	DN	Art. No
	Protective plug for LOX	BR		600006870
	Protective plug for LIN/LAR	BR		600006865
	Protective plug for LCO2	BR		600006872
	Protective plug for LN2O	BR		600006871

Recommended spareparts pallet tank

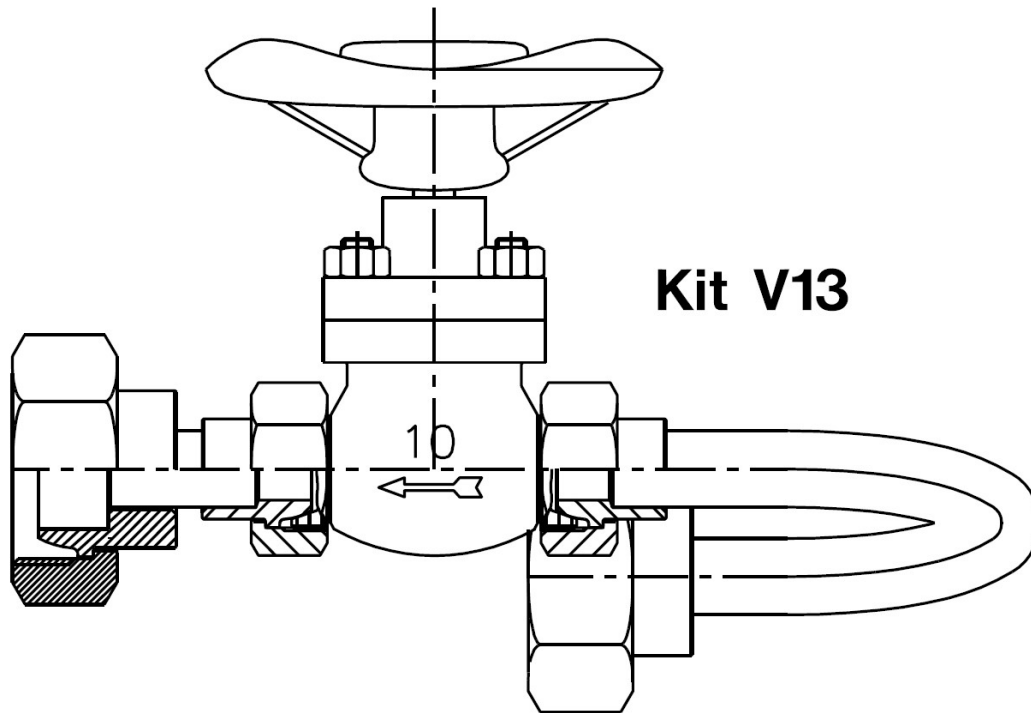
Piping kits for exchange of old kits

**Piping kits for exchange of old kits containing ball valves.
Earlier mounted on pallet tanks.**

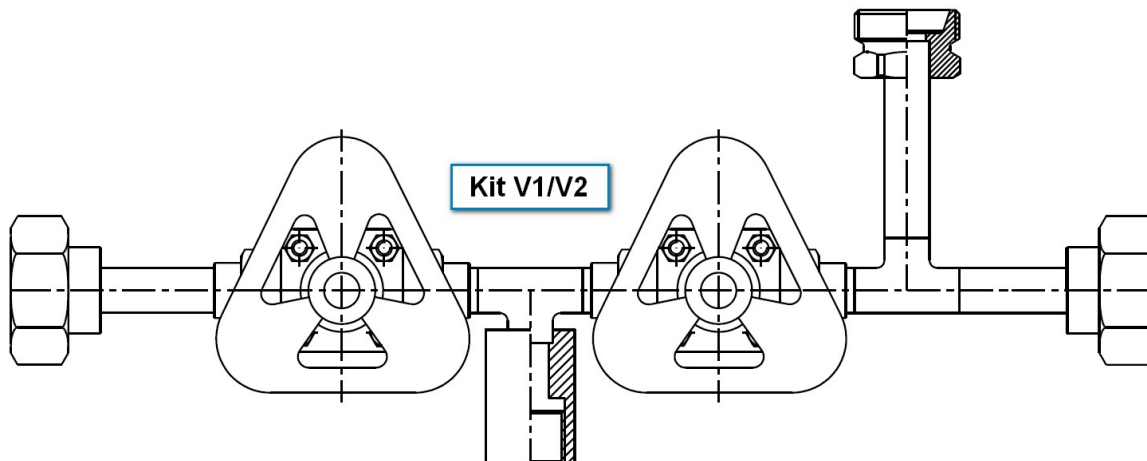


Description	Art. No
Kit V5/V6 complete with valve, pipes, union nuts, soldering sleeves	1000156

Recommended spareparts pallet tank



Description	Art. No
Kit V13 complete with valve, pipes, union nuts, soldering sleeves	1000158



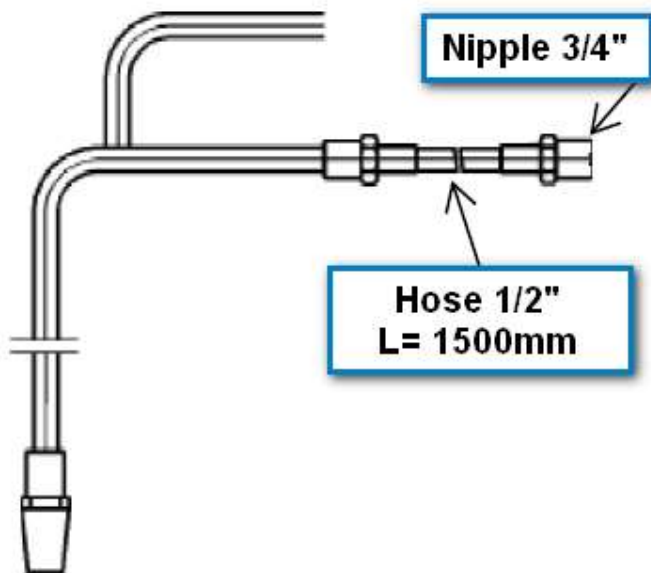
Description	Art. No
Kit V1/V2 complete with valve, pipes, union nuts, soldering sleeves	1000157

Recommended spareparts pallet tank

Optional equipment for Pallet tanks

Vessel Filler

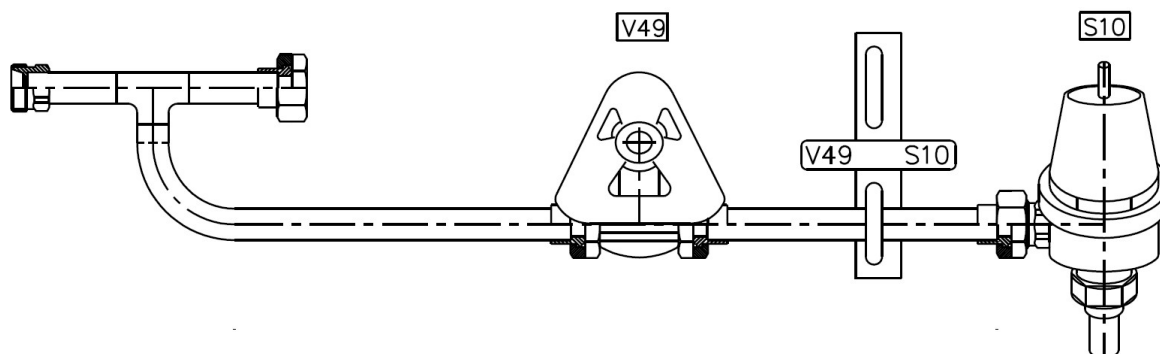
For filling of liquid into dewars and liquid cylinders, stainless steel.



Description	Art. No
Vessel filler, complete with strainer, handle, connection, hose.	600058207

Liquid discharge from Pallet tank

Necessary equipment for liquid discharge only.



Recommended spareparts pallet tank

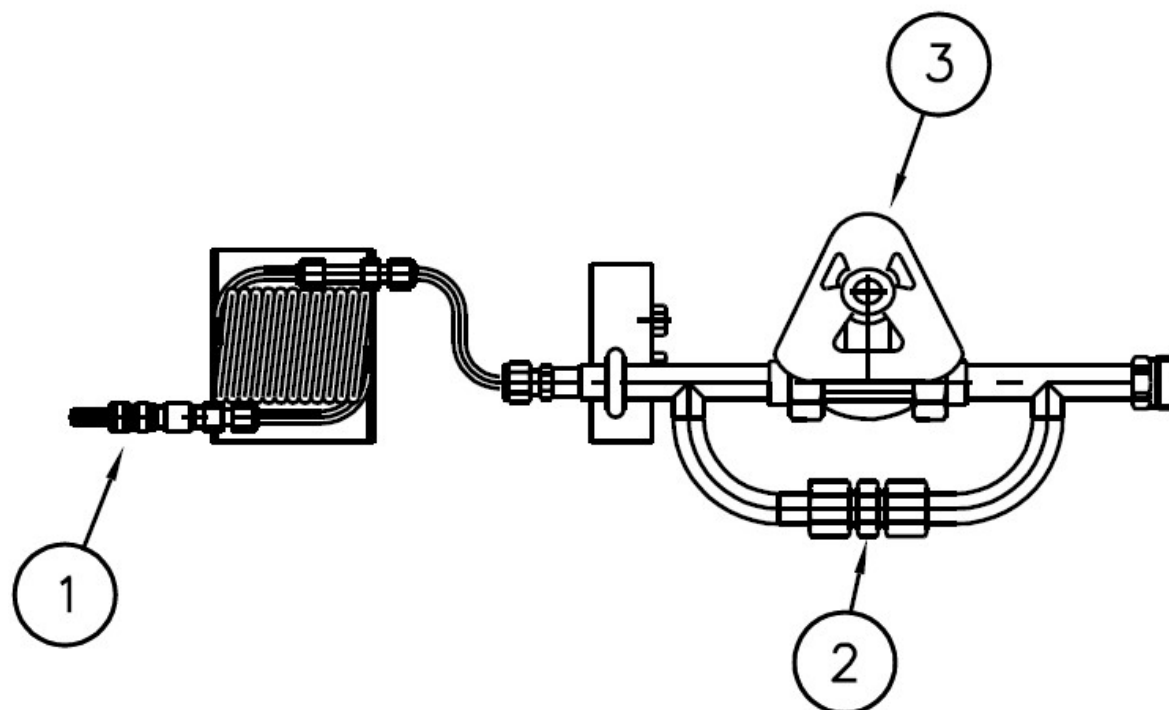
Description	Art. No
Low pressure regulator, complete with regulator (S10), shut-off valve (V49), pipes, union nuts, soldering sleeves.	600009707

Low pressure regulators S10

Type	Description	Material	DN	Art. No
	FRM-2, 3/8" 2,2bar (2,1-3,4 bar)	BR		1000284
Spare part	Membrane and sealing			600013393
	Nipple 3/8" NPT	BR	15	600054988

Recommended spareparts pallet tank

Analysis connection A26



Description	Pos.	Art. No
Analysis connection incl vaporizer		600011157
Quick connection incl protector plug	1	
Overflow valve B11 (5bar)	2	
Shut-off valve V28	3	